

FT5

Spare parts

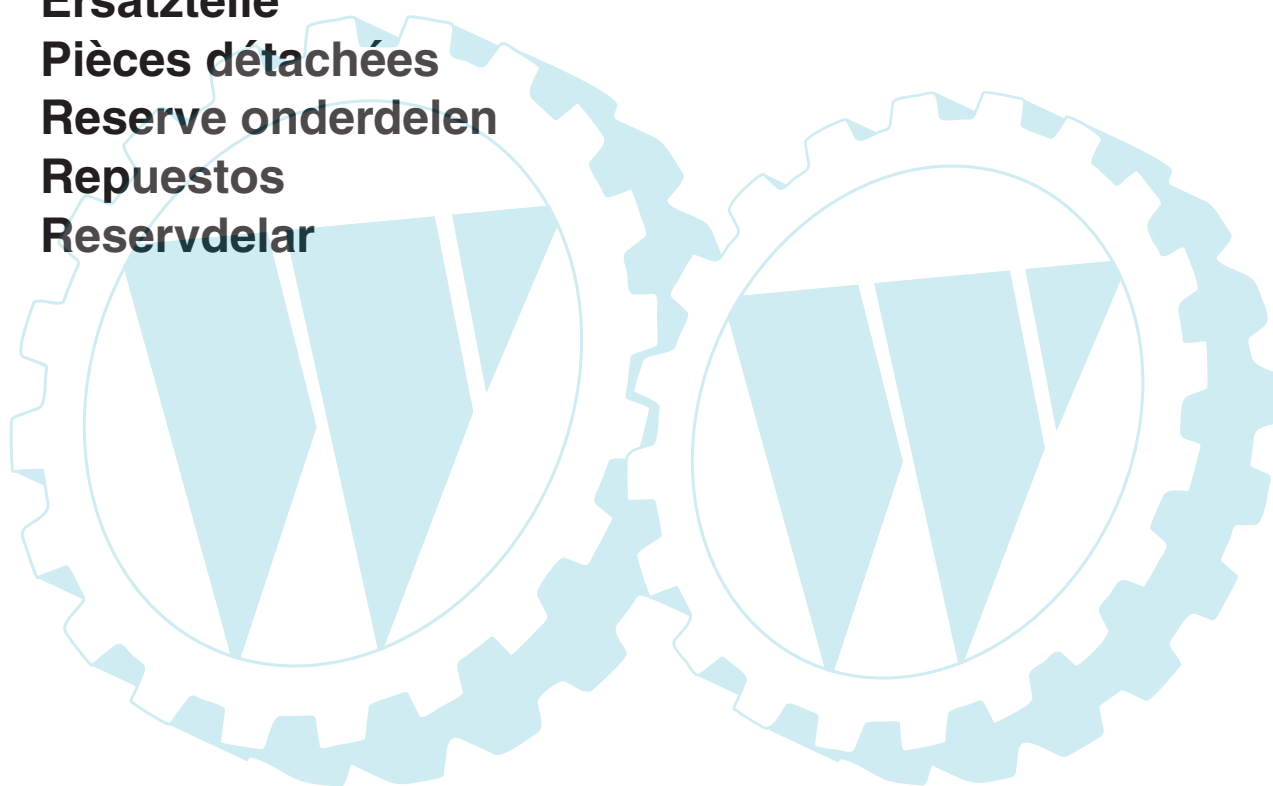
Ersatzteile

Pièces détachées

Reserve onderdelen

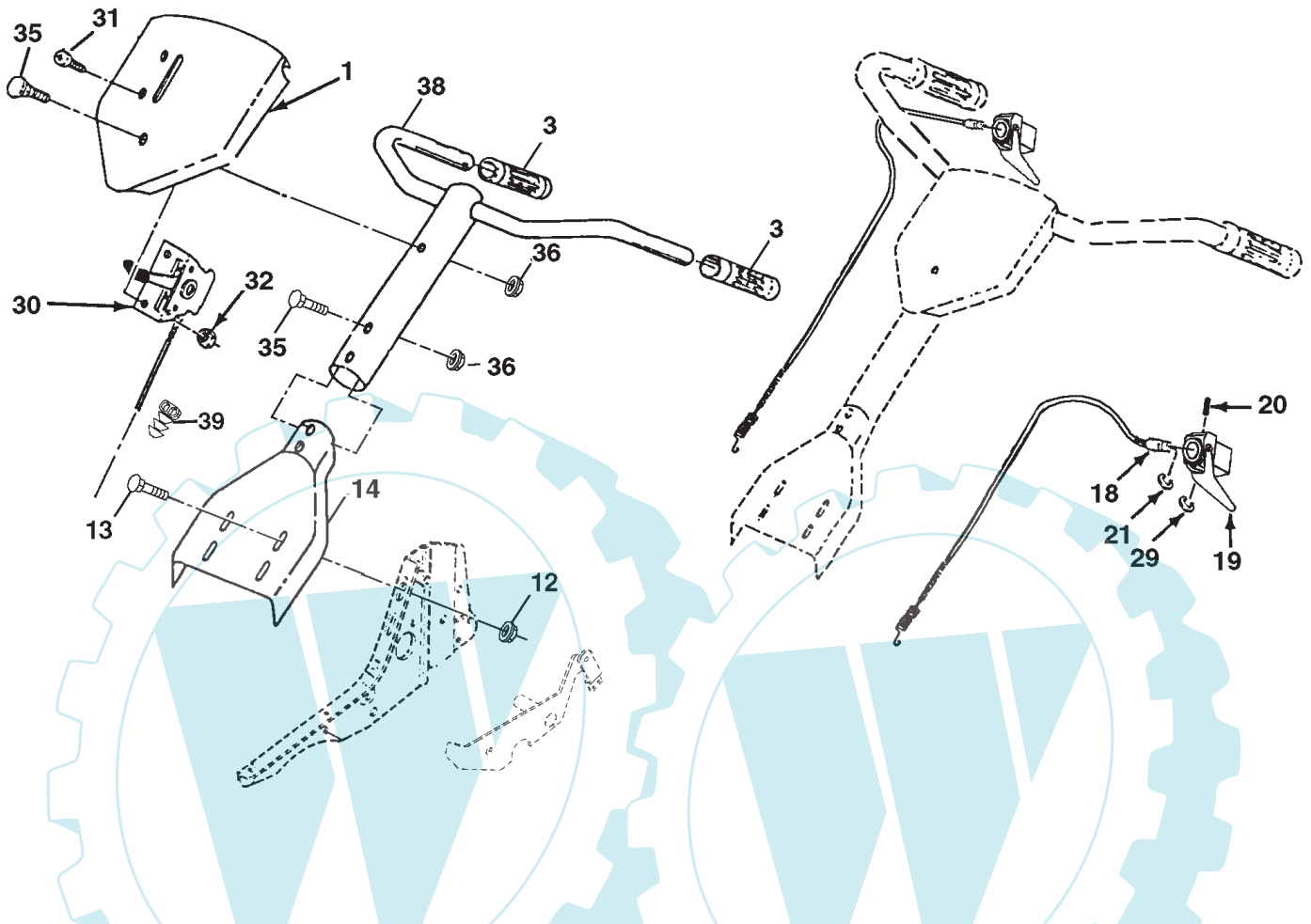
Repuestos

Reservdelar



REPAIR PARTS

TILLER - - MODEL NUMBER FT5 (JFT5P), PRODUCT NO. 954 13 00-56
HANDLE ASSEMBLY



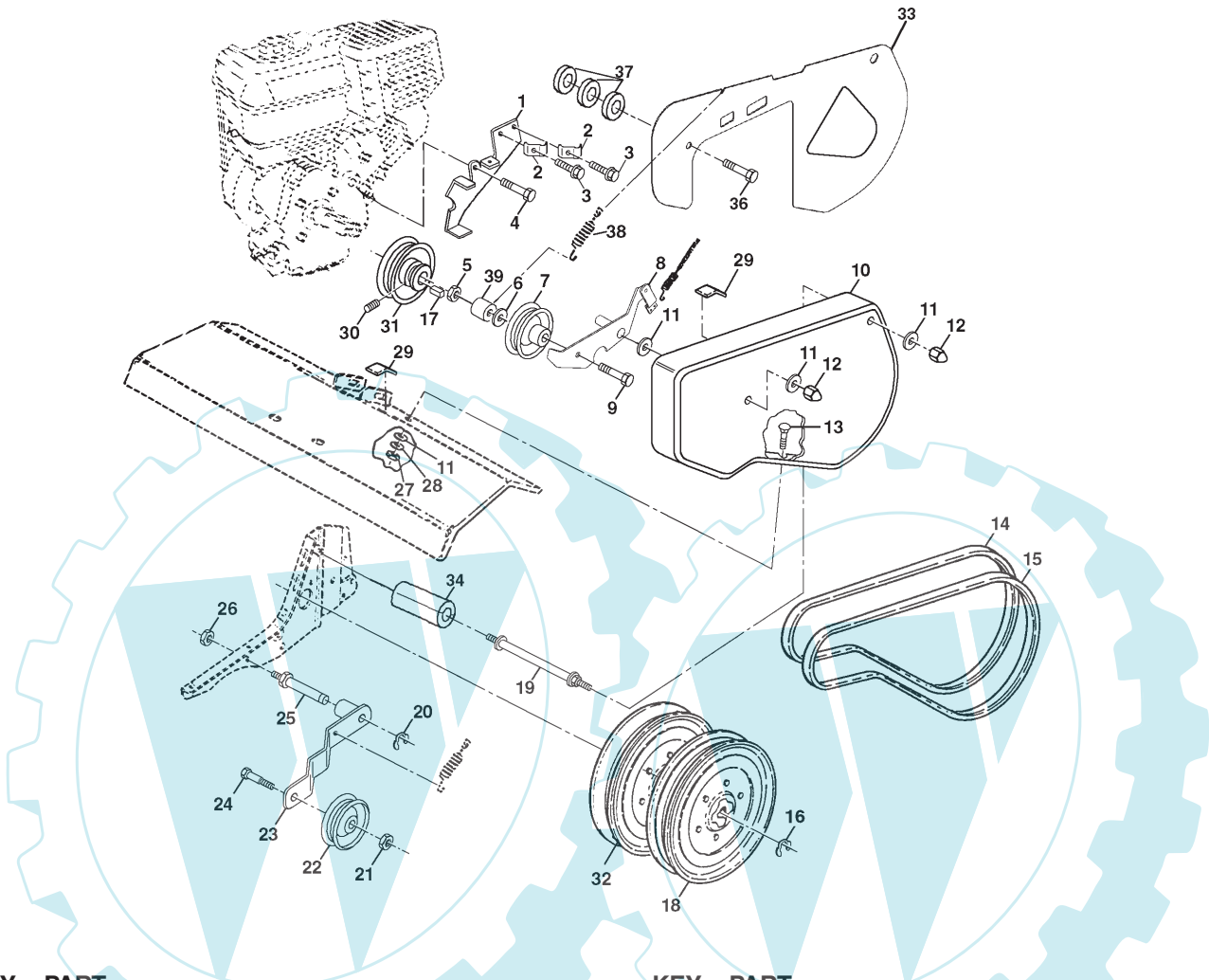
KEY NO.	PART NO.	DESCRIPTION
1	532 18 20-99	Panel Control
3	532 11 06-32	Grip Handle
12	898 00 01-29	Nut, Flange
13	872 01 05-06	Bolt, Carriage 5/16-18 x 3/4
14	532 18 14-76	Assembly, Panel and Tube
18	532 16 68-68	Cable, Clutch
19	532 15 12-29	Lever, tine Control
20	532 15 48-05	Pin, Pivot
21	812 00 00-27	Ring, Clip
29	812 00 00-59	Ring, Retaining

KEY NO.	PART NO.	DESCRIPTION
30	532 18 06-22	Throttle, Control 31.00
31	871 19 10-08	Screw, 10-24
32	873 73 10-00	Nut, Keps #10-24 UNC
35	872 01 05-20	Bolt, 5/16-18 x 2 1/2
36	873 97 05-00	Locknut, Flange 5/16-18 UNC
38	532 16 66-00	Assembly, Handle Column
39	532 18 15-80	Dual Clip

NOTE: All component dimensions are given in U.S. inches. 1 inch = 25.4 mm

REPAIR PARTS

TILLER - - MODEL NUMBER FT5 (JFT5P), PRODUCT NO. 954 13 00-56 BELT GUARD AND PULLEY ASSEMBLY



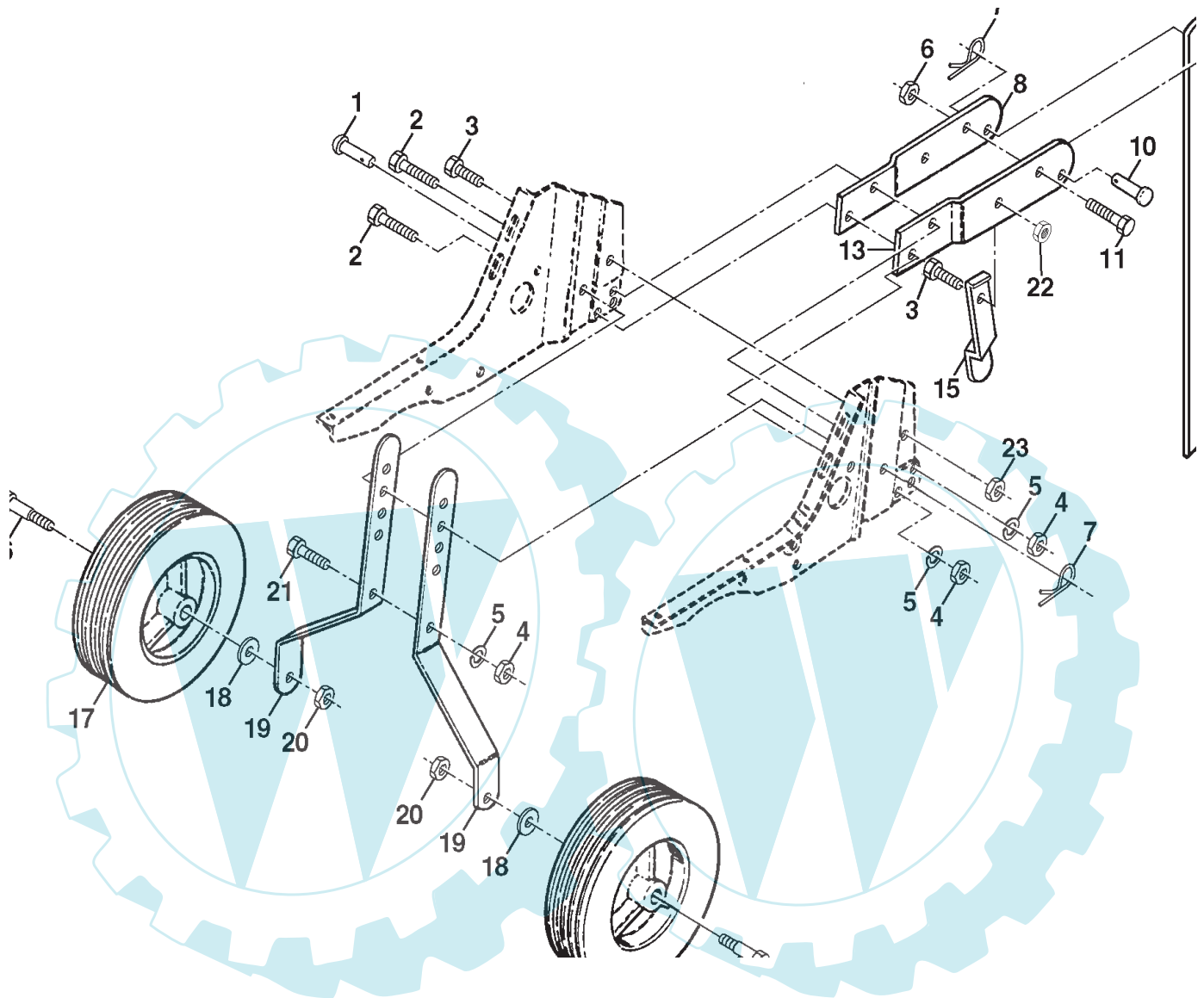
KEY NO.	PART NO.	DESCRIPTION
1	532 18 03-77	Assembly, Bracket, Belt Guard
2	532 00 94-84	Clip, Cable
3	532 08 67-77	Screw, Hex, Washer Hd., Slotted, Thd. Cutting #10-24 x 1/2 Type D
4	874 61 08-12	Bolt, Hex 1/2-20 x 3/4
5	873 66 06-00	Nut, Lock 3/8-16
6	819 13 13-16	Washer 13/32 x 13/16 x 16 Ga.
7	532 00 20-09	Pulley, Idler, Reverse
8	532 15 92-38	Assembly, Arm, Reverse Idler
9	874 76 06-28	Bolt, Hex 3/8-16 x 1-3/4
10	532 16 18-28	Guard, Belt
11	819 09 10-16	Washer 9/32 x 5/8 x 16 Ga.
12	532 10 42-13	Nut, Cap 1/4- 20
13	872 14 04-05	Bolt, Carriage 1/4-20 x 5/8
14	532 13 30-35	V-Belt (Forward Motion)
15	532 00 26-14	V-Belt (Reverse)
16	812 00 00-28	Ring, Retainer
17	532 00 26-49	Key, Square
18	532 15 12-36	Sheave, Transmission, Flat
19	532 16 59-14	Bolt, Belt Guard
20	812 00 00-35	Ring, Klip
21	873 35 06-00	Nut, Hex, Jam 3/8-16

KEY NO.	PART NO.	DESCRIPTION
22	532 16 18-06	Pulley, Idler
23	532 17 53-77	Arm, Idler
24	874 76 06-20	Bolt, Hex 3/8-16 x 1-1/4
25	532 10 69-68	Shaft, Idler Arm
26	873 35 05-00	Nut, Hex Jam 5/16-18
27	873 22 04-00	Nut, Fin Hex 1/4-20
28	810 04 04-00	Washer Lock Hvy, Helical 1/4
29	532 10 92-27	Pad, Idler
30	823 20 04-04	Screw, Set , Socket, Headless C.P. 1/4-20 x 1 /4
31	532 10 11-89	Sheave, Engine
32	532 15 12-23	Sheave, Transmission "V"
33	532 17 54-94	Shield, Belt guard w/Rev.
34	532 17 53-67	Spacer, Split .635 x .823 x 2.2
36	874 33 05-16	Bolt 5/16 x 24 x 1
37	819 11 12-12	Washer 11/32 x 3/4 x 12
38	532 12 80-85	Spring
39	532 13 89-09	Spacer

NOTE: All component dimensions given in U.S. inches.
1 inch = 25.4 mm

REPAIR PARTS

TILLER - - MODEL NUMBER FT5 (JFT5P), PRODUCT NO. 954 13 00-56
WHEEL AND DEPTH STAKE ASSEMBLY



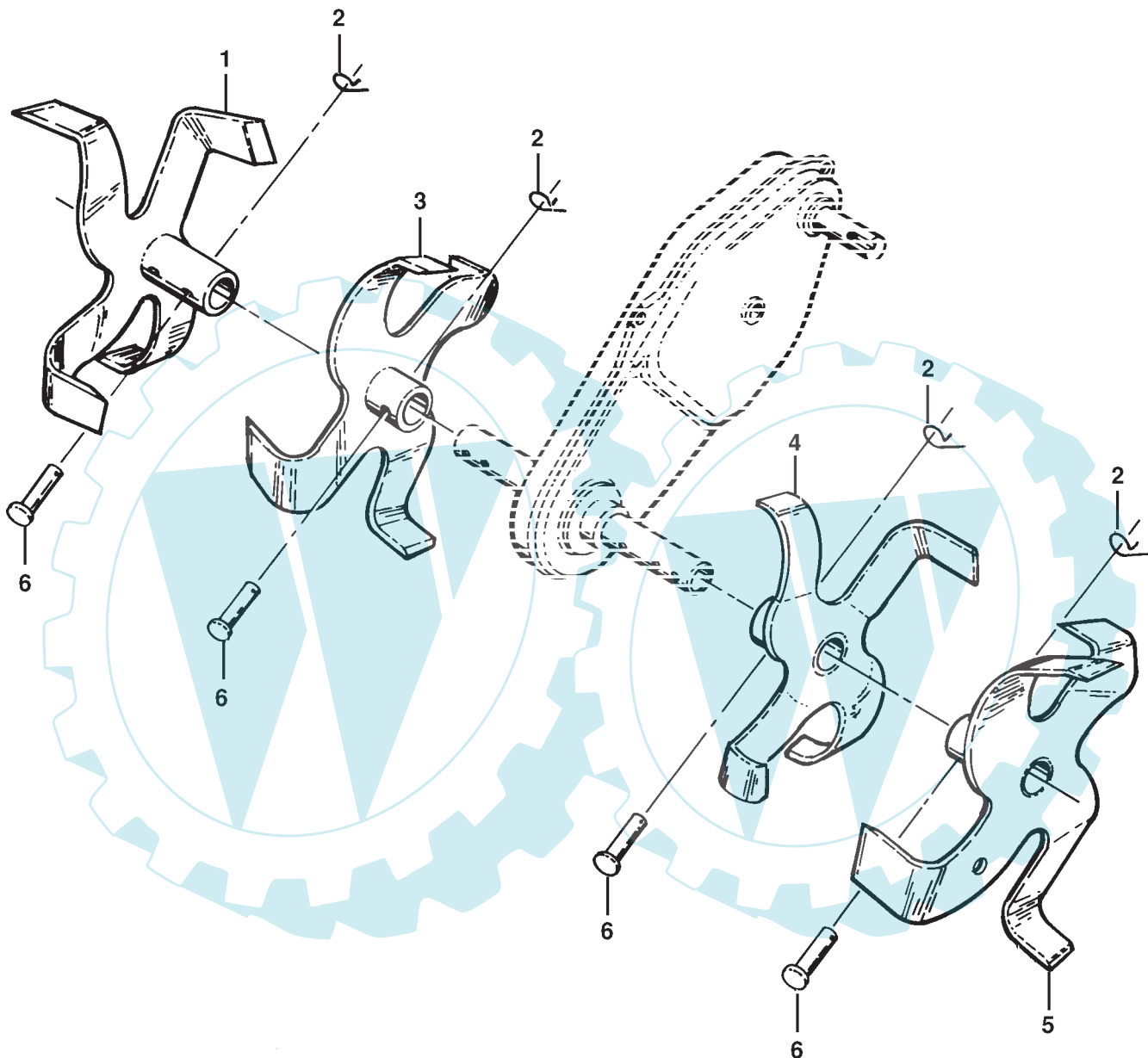
KEY NO.	PART NO.	DESCRIPTION
1	5320091-94	Pin, Clevis
2	8747605-20	Bolt, Hex 5/16-18 x 1-1/4
3	8747605-12	Bolt, Hex 5/16-18 x 3/4
4	8732205-00	Nut, Hex 5/16-18
5	8100405-00	Washer, Lock 5/16
6	8738006-00	Locknut, w/washer 3/8-16
7	5320049-21	Clip, Hairpin
8	5320019-52	Support, Depth Stake, R.H.
9	5321222-33	Stake, Depth
10	5320003-26	Pin, Clevis
11	8747806-28	Bolt, Hex, Fin 3/8-16 x 1-3/4
13	5320019-51	Support, Depth Stake, L.H.

KEY NO.	PART NO.	DESCRIPTION
15	5320053-88	Spring, Stake
16	5321211-17	Bolt, Shoulder
17	5321278-32	Wheel
18	8191313-11	Washer 13/32 x 13/16 x 11 Ga.
19	5321247-07	Bracket, Wheel
20	8736806-00	Locknut, Crown 3/8-16
21	8747605-16	Bolt, Hex 5/16-18 x 1
22	8738005-00	Locknut, w/insert 5/16-18
23	8739705-00	Nut Lock Flange

NOTE: All component dimensions given in U.S. inches.
1 inch = 25.4 mm

REPAIR PARTS

TILLER - - MODEL NUMBER FT5 (JFT5P), PRODUCT NO. 954 13 00-56
TINE ASSEMBLY

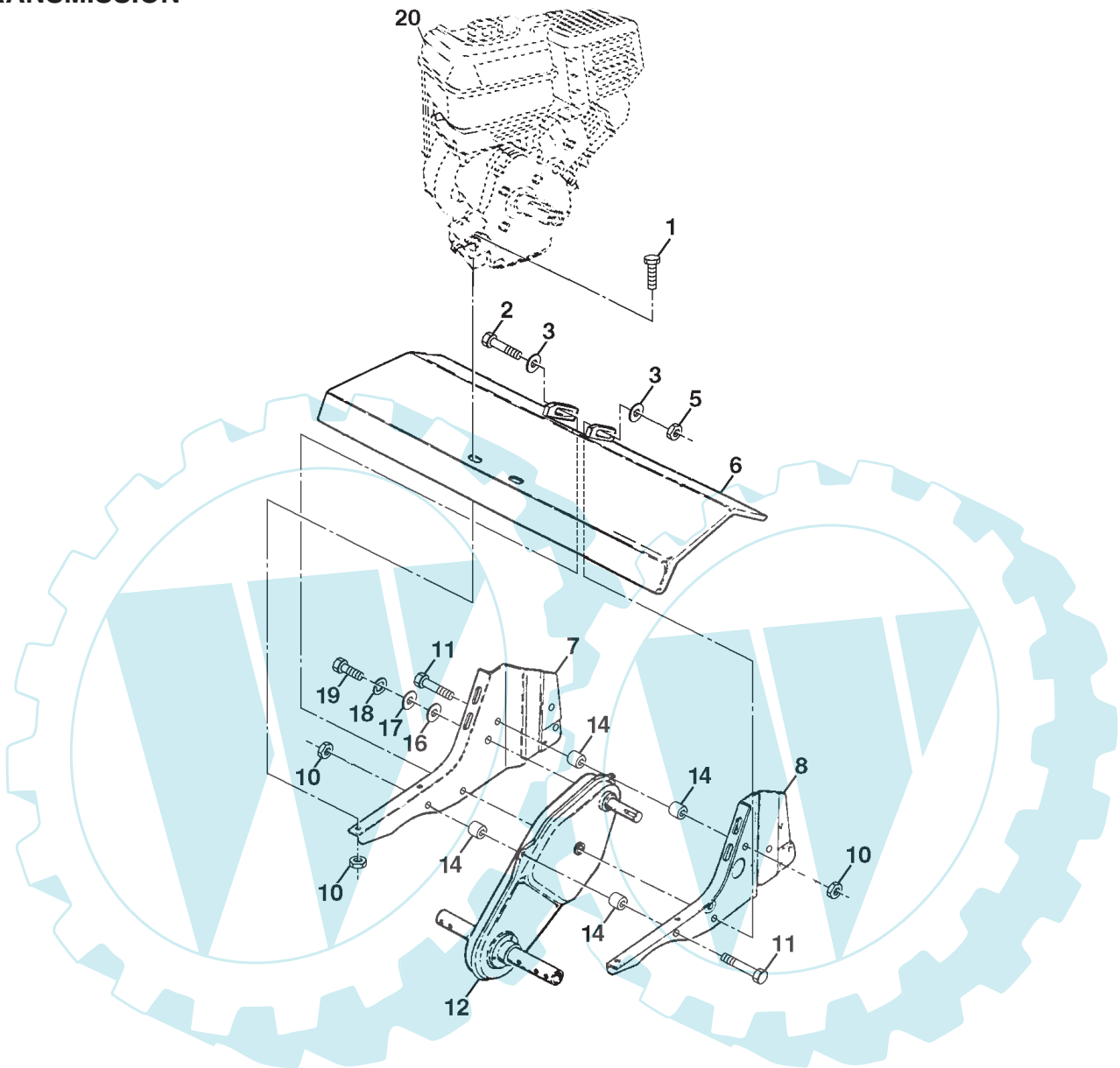


KEY NO.	PART NO.	DESCRIPTION
1	532 15 69-34	Tine, Outer, R.H.
2	532 12 46-60	Retainer, Spring Zinc
3	532 15 69-32	Tine, Inner, R.H.

KEY NO.	PART NO.	DESCRIPTION
4	532 15 69-31	Tine, Inner, L.H.
5	532 15 69-33	Tine, Outer, L.H.
6	532 00 49-29	Pin, Clevis

REPAIR PARTS

TILLER - - MODEL NUMBER FT5 (JFT5P), PRODUCT NO. 954 13 00-56
TRANSMISSION



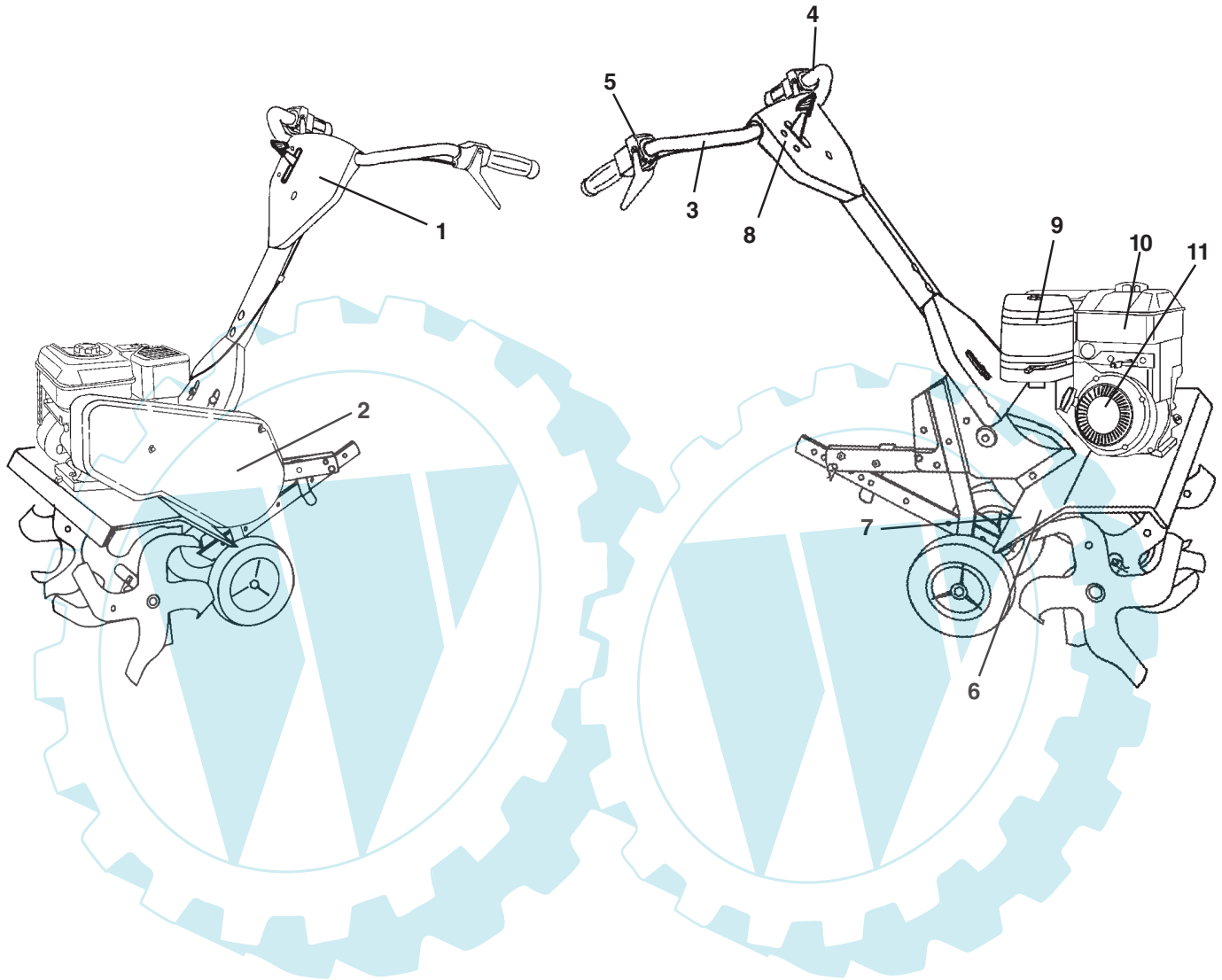
KEY NO.	PART NO.	DESCRIPTION
1	8747605-24	Bolt, Hex 5/16-18 x 1-1/2 Gr. 2
2	8747806-52	Bolt, Hex, Fin 3/8-16 x 3-1/4
3	8191313-11	Washer 13/32 x 13/16 x 11
5	8738006-00	Locknut, Hex, w/washer 3/8-16
6	5321383-43	Shield, Tine
7	5321658-35	Bracket, Engine, R.H.
8	5320019-48	Bracket, Engine, L.H.
10	8739705-00	Nut, Hex 5/16-18
11	8747605-44	Bolt, Hex 5/16-18 x 2-3/4
12	5321761-12	Transmission
14	5320091-73	Spacer, Split

KEY NO.	PART NO.	DESCRIPTION
15	8739705-00	Nut, Lock Hex Flg
16	8190914-12	Washer 9/32 x 7/8 x 12 Ga.
17	8190920-16	Washer 9/32 x 1-1/4 x 16 Ga.
18	8100404-00	Washer, Lock 1/4
19	8746104-12	Bolt, Hex 1/4-28 x 3/4 Gr. 5
20	-----	Engine Briggs Model 120402 (Order engine parts from engine manufacturer)

NOTE: All component dimensions given in U.S. inches.
1 inch = 25.4 mm

REPAIR PARTS

TILLER - - MODEL NUMBER FT5 (JFT5P), PRODUCT NO. 954 13 00-56
DECALS



KEY NO.	PART NO.	DESCRIPTION
1	532 14 11-17	Decal, Logo
2	532 17 07-53	Decal, Logo
3	532 15 98-77	Decal, Hand Placement
4	532 15 87-00	Decal, Control Forward
5	532 15 87-01	Decal, Control Reverse
6	532 14 54-37	Decal, Europe, Stand CE
7	532 17 65-57	Decal, Warning
8	532 15 76-07	Decal, Stop/Idle/Fast
9	532 17 10-77	Decal, OHV N-I/C
10	532 17 56-43	Decal, Briggs & Stratton
11	532 17 10-78	Decal, Rewind Intek
--	532 18 05-72	Manual, Operator's (Euro.)
--	532 18 05-73	Manual, Operator's (Scand.)